

TECHNICAL DATA SHEET

CLUB Mono Bidet Mixer with Pop-Up Waste

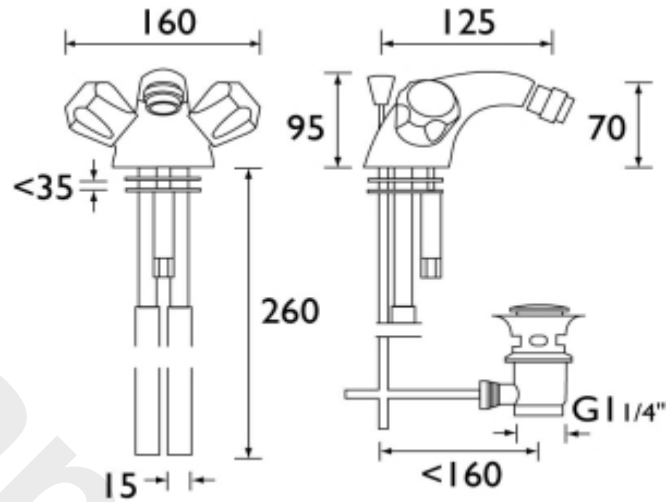
Product Specification

Product Code:	VAC BID C MT
Finish:	Chrome
Product Type:	Contemporary
Construction:	Tap bodies are of all brass construction
Valve Type:	1/2" standard valve
Supply:	Suitable for all plumbing systems, preferably balanced
Inlet Connections:	15mm copper tails
Water Pressure:	Min 0.2 bar, Max. 7.0 bar



Additional Information

- Supplied with metal heads
- Supplied with metal fixing nut
- Chrome plated to BS EN 248



Flow Rates (litres per minute)

System Pressure	0.2bar	0.4bar	1.0bar	2.0bar	3.0bar	5.0bar
Bidet Mixer	10.3	14.5	22.7	32.4	39.7	51.2

Compliance/Approvals

WRAS Approval No: 1411703

Technical Advice: For further information please call 0844 7016273 or email customer care@bristan.com

Guarantee: 5 years covering manufacturing faults.

